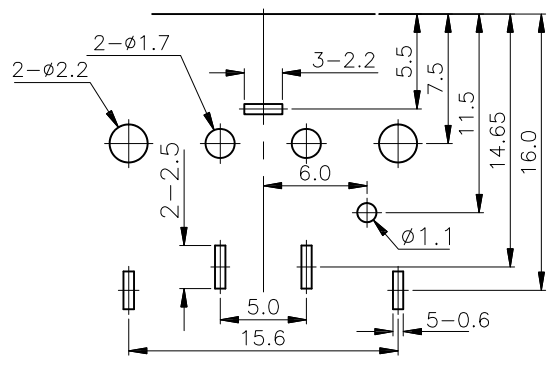
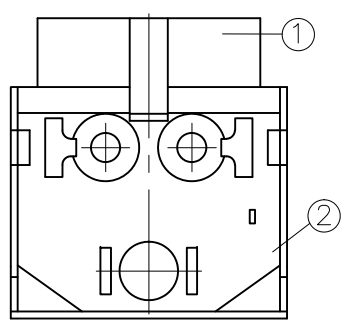
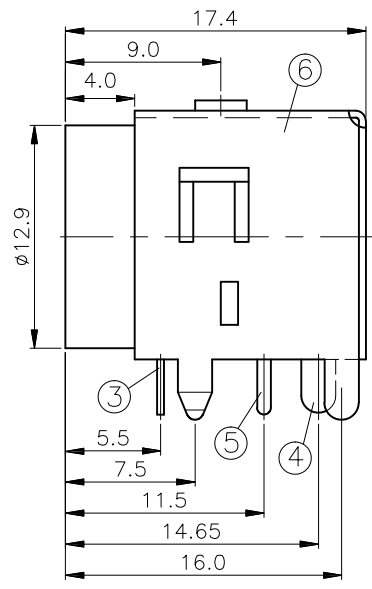
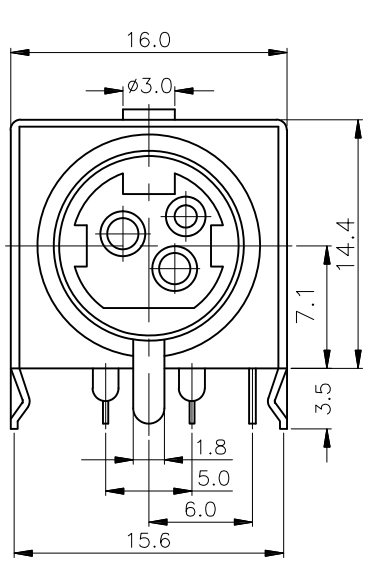
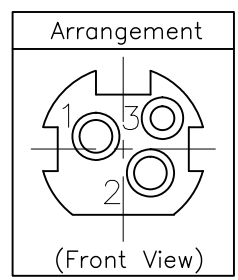


REV.	Description	Date
□	upgrade drawing	2016/10/7
1	rate voltage revise	2017/11/30



HOLE LAYOUT
BOTTOM VIEW

SPECIFICATIONS:

- CURRENT RATING: PIN NO. A&B: 7.5A MAX.
PIN NO. C : 1A MAX.
- RATED VOLTAGE: 48V/DC max.
- DIELECTRIC STRENGTH: A POTENTIAL OF 250V RMS, 50/60HZ SHALL BE APPLIED BETWEEN ANY OPEN CONTACTS, FOR 1 MINUTE, WITHOUT BREAKDOWN.
- INSULATION RESISTANCE:
BEFORE ANY ENVIRONMENTAL TEST: 50M OHM MIN. @250VDC.
AFTER ANY ENVIRONMENTAL TEST: 5M OHM MIN. @250VDC.
- CONTACT RESISTANCE:
BEFORE ANY TEST:
PIN TO CONTACTOR NO. A,B&C: 30m OHM MAX. @20mA, 1 KHZ.
AFTER PERFORMANCE LIFE TEST:
PIN TO CONTACTOR NO. A&B: 60m OHM MAX. @20mA, 1KHZ.
PIN TO CONTACTOR NO. C: 100m OHM MAX. @20mA, 1KHZ.
- INSERTION FORCE: 6.0KG MAX.
WITHDRAWAL FORCE: 0.5 - 6.0KG.
- PERFORMANCE TEST (NO LOAD CONDITION): SOCKETS SHALL BE SUBJECT TO 1,000 CYCLES, AT THE RATE OF 10 TO 20 CYCLES PER MINUTE.
- UNLESS OTHER SPECIFIC, TOLERANCE IS ± 0.2

5	Shield	SPCC	Tin plated
4	C. terminal	PBR-H	Tin plated
4	A. B. terminal	BSR-H	Tin plated
3	Earth terminal	BSR-H	Tin plated
2	Cover	P.B.T.	
1	Body	P.B.T.	
Item	Description	Material	Treat & Remark

RoHS



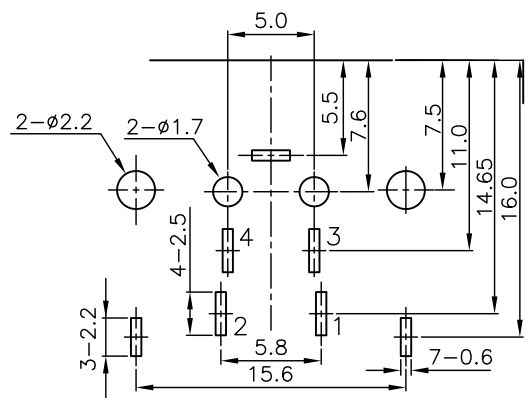
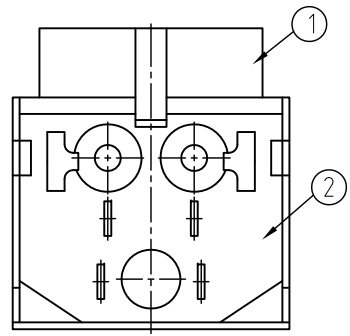
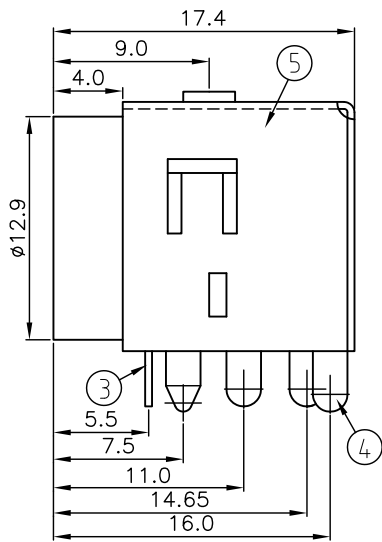
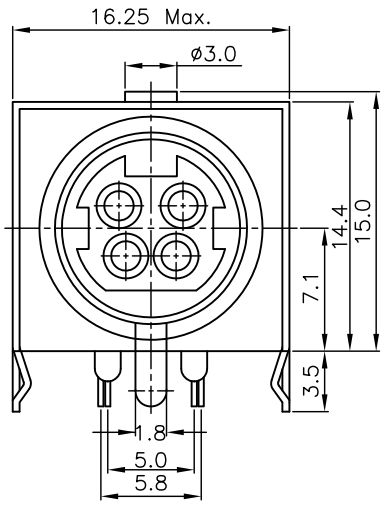
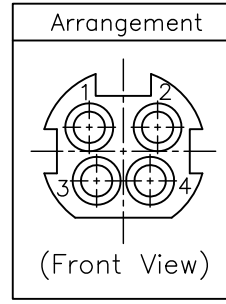
Unicable Co., Ltd. 國陽電業有限公司

5F., No. 111-33, Sec. 4, San Ho Road, San Chung City, Taiwan, R.O.C.
http://www.unicable.com.tw TEL:+886-2-2286-2122 FAX:+886-2-2286-1010

DATE	2017/11/30	PART NO.	UT-A001-3SS
DWN	GINA	REV.	1
CHK			
UNIT	MM		

ITEM	Circular Power Connector Push Lock Type
------	---

REV.	Description	Date
	upgrade drawing	2016/10/7
1	rate voltage revise	2017/11/30



PCB LAYOUT
TOP VIEW

SPECIFICATIONS:

- CURRENT RATING: 7.5A MAX.
- RATED VOLTAGE: 48V/DC max.
- DIELECTRIC STRENGTH: A POTENTIAL OF 250V RMS, 50/60HZ SHALL BE APPLIED BETWEEN ANY OPEN CONTACTS, FOR 1 MINUTE, WITHOUT BREAKDOWN.
- INSULATION RESISTANCE:
BEFORE ANY ENVIRONMENTAL TEST: 50M OHM MIN. @250VDC.
AFTER ANY ENVIRONMENTAL TEST: 5M OHM MIN. @250VDC.
- CONTACT RESISTANCE:
BEFORE ANY TEST: 30m OHM MAX. @20 mA, 1 KHZ
AFTER PERFORMANCE LIFE TEST: 60m OHM MAX. @20mA, 1KHZ.
- INSERTION FORCE: 6.0KG MAX.
WITHDRAWAL FORCE: 0.5 - 6.0KG.
- PERFORMANCE TEST (NO LOAD CONDITION): SOCKETS SHALL BE SUBJECT TO 1,000 CYCLES, AT THE RATE OF 10 TO 20 CYCLES PER MINUTE.
- UNLESS OTHER SPECIFIC, TOLERANCE IS ±0.2

5	Shield	SPCC	Tin plated
4	Contact terminal	BSR-H	Tin plated
3	Earth terminal	BSR-H	Tin plated
2	Cover	P.B.T.	
1	Body	P.B.T.	
Item	Description	Material	Treat & Remark

RoHS



Unicable Co., Ltd. 國陽電業有限公司
5F., No. 111-33, Sec. 4, San Ho Road, San Chung City, Taiwan, R.O.C.
<http://www.unicable.com.tw> TEL:+886-2-2286-2122 FAX:+886-2-2286-1010

DATE	2017/11/30	PART NO.	UT-A001-4SS
DWN	GINA	REV.	1
CHK			
UNIT	MM		

ITEM Circular Power Connector Push Lock Type